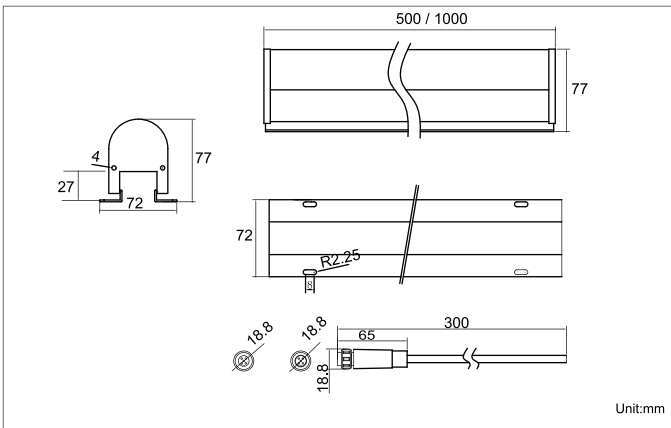




Product Dimensions:



Accessories:

Female and Male 5 Pin Cable

3 channel connectors
5 Pin (2 Male and 1 Female)

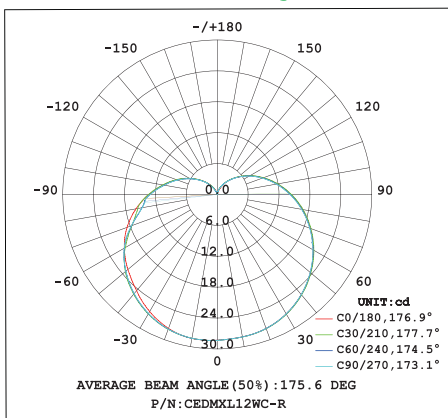


P/N:C-5PIN-L-FM

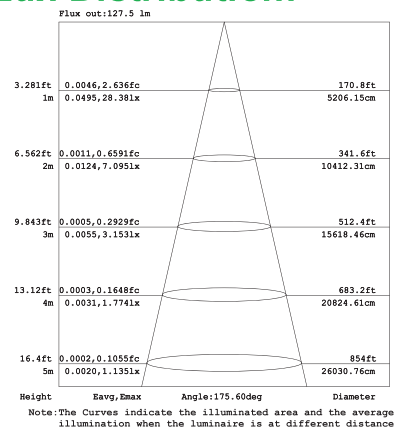


P/N:C-5PIN-T-2MIF

Luminous Intensity Distribution Diagram:



Lux Distribution:



Manufacturing Quality Standard:

- ISO 9001:2008

LED Luminaire Standard:

- EN/IEC 60598-1
- EN/IEC 60598-2-1
- EN/IEC 60598-2-2
- EN/IEC 60529
- EN/IEC 62471-2
- IEC 62612
- EN/IEC 60968
- IEC 62560
- EN/IEC 60061-1
- EN 13032-1
- EN 13032-2
- EN/IEC 62471
- EN/IEC 60825
- EN 60061-1

Electronic Driver Standard:

- EN/IEC 61347-1
- EN/IEC 61347-2-13
- EN/IEC 62384
- EN/IEC 61000-3-2
- EN/IEC 61000-3-3
- EN/IEC 61547
- EN 55015(CISPR 15)

LED Module Standard:

- IEC 62031
- IEC 60838-2-2

RoHS Standard:

- EPA3050B
- EN 1122B
- IEC 62321
- EPA3052
- EPA3060A
- EPA7196A
- EPA3540C
- EPA8270D

LED Luminaire Performance:

- LM-80-08
- Switching cycle: 100,000x

LED Light Photometric Standard:

- CIE; TM14; LM-75; IES; LDT; CEN; CIB



Features:

- Comply with standard DMX 512(Digital Multiplex) controller system
- Built-in DMX address IC for IP writing
- Display to 16,777,216 colors
- Frame per second:>100 FPS
- Dimmable range:0~255 steps
- 256 gradations for RGB individual
- Life time:50,000 hours
- Built-in constant current driver with PWM signal > 400Hz
- 6063 aluminum alloy housing with anode oxidation
- Unique polycarbonate milky cover diffuser for uniform illumination
- No dark areas at clear and caps in straight line array
- Unique XLR5 5Pin IP68 female/male connector
- The cable can be hidden in linear chamber
- Convenient installation with elliptic holes

Applications:

- Facade Lighting
- Building Outline
- Bridge Outline
- Video Wall

DC24

Resist UV

CE

RoHS

IP65

Specifications:

Part No	Size (mm)	CCT	Qty of SMD (pcs)	Average Beam Angle	Luminous Intensity (cd)	Luminaire Luminous Flux (lm)	Sections	Power (W)
CEDMXL12WRGB-R	1000	Full Color	48	175°	30	180	8	12
CEDMXL12WW-R	1000	3000K	48	175°	30	350	8	12
CEDMXL12WN-R	1000	4000K	48	175°	30	380	8	12
CEDMXL12WC-R	1000	6000K	48	175°	30	400	8	12
CEDMXL12WY-R	1000	Yellow 590~595nm	48	175°	30	140	8	12
CEDMXL12WB-R	1000	Blue 450~460nm	48	175°	30	120	8	12
CEDMXL12WR-R	1000	Red 620~630nm	48	175°	30	120	8	12
CEDMXL12WG-R	1000	Green 520~530nm	48	175°	30	120	8	12
CEDMXL06WRGB-R	500	Full Color	24	175°	30	100	4	6
CEDMXL06WW-R	500	3000K	24	175°	30	180	4	6
CEDMXL06WN-R	500	4000K	24	175°	30	200	4	6
CEDMXL06WC-R	500	6000K	24	175°	30	220	4	6
CEDMXL06WY-R	500	Yellow 590~595nm	24	175°	30	70	4	6
CEDMXL06WB-R	500	Blue 450~460nm	24	175°	30	60	4	6
CEDMXL06WR-R	500	Red 620~630nm	24	175°	30	60	4	6
CEDMXL06WG-R	500	Green 520~530nm	24	175°	30	60	4	6

Products Characteristic:

- Input:DC 24V
- Control Protocol:DMX 512
- Operating Temperature: -20°C ~ 50°C
- House Material:Aluminum & Polycarbonate
- Body Color: Silver Grey
- LED Type: Taiwan or Samsung
- Net Weight:1020g(1000mm) / 750g(500mm)