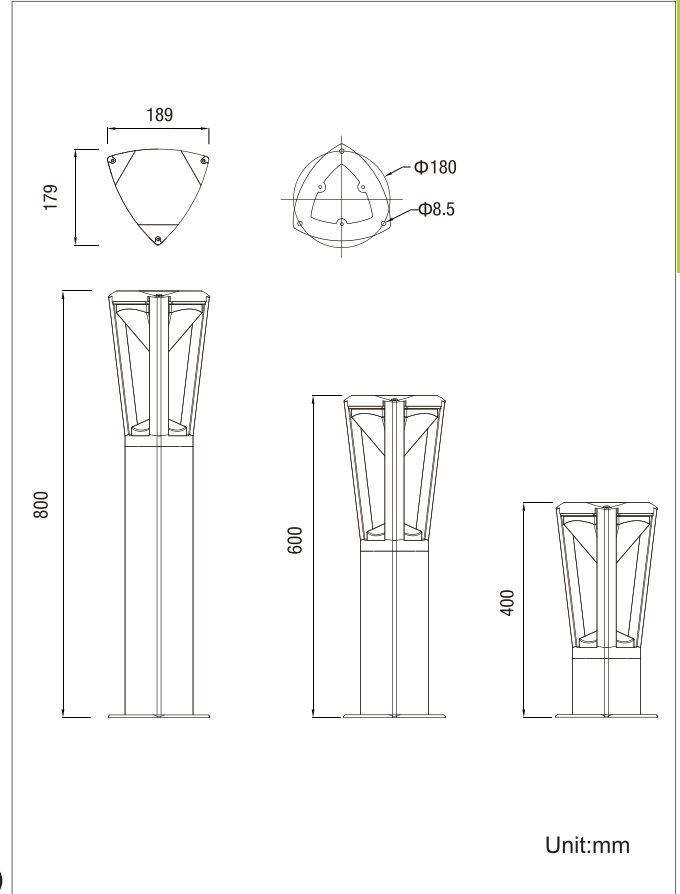
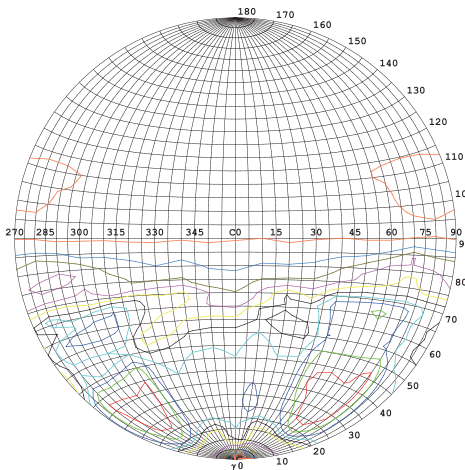
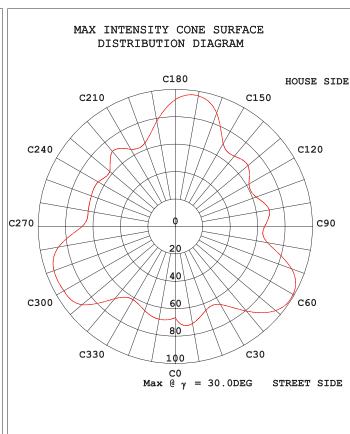
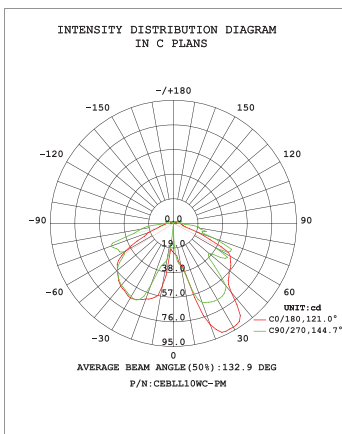




Product Dimensions:



Luminous Intensity Distribution Diagram:



Classification:

IES: Type III - Very Short  
 CIE: Narrow - Short  
 IES: Semi cut-off  
 CIE: Non-cut-off  
 Max. At 80: 123.7 cd/klm  
 Max. At 90: 21.30 cd/klm  
 Max. 80-90: 123.7 cd/klm  
 MRE 5101: Semi limited [15.1%]

ISOCANDELA DIAGRAM	UNIT	cd
Imax=100%		99
90%		89
80%		79
70%		69
60%		59
50%		50
40%		40
30%		30
20%		20
10%		10
5%		5

Manufacturing Quality Standard:

- ISO 9001:2008

LED Luminaire Standard:

- EN/IEC 60598-1
- EN/IEC 60598-2-1
- EN/IEC 60598-2-2
- EN/IEC 60529
- EN/IEC 62471-2
- IEC 62612
- EN/IEC 60968
- IEC 62560
- EN/IEC 60061-1
- EN 13032-1
- EN 13032-2
- EN/IEC 62471
- EN/IEC 60825
- EN 60061-1

Electronic Driver Standard:

- EN/IEC 61347-1
- EN/IEC 61347-2-13
- EN/IEC 62384
- EN/IEC 61000-3-2
- EN/IEC 61000-3-3
- EN/IEC 61547
- EN 55015 (CISPR 15)

LED Module Standard:

- IEC 62031
- IEC 60838-2-2

LED Light Photometric Standard:

- CIE; TM14; LM-75; IES; LDT; CEN; CIB

RoHS Standard:

- EPA3050B
- EN 1122B
- IEC 62321
- EPA3052
- EPA3060A
- EPA7196A
- EPA3540C
- EPA8270D

LED Luminaire Performance:

- LM-80-08
- Switching cycle: 100,000x



## Features:

- The body adopts both alloy aluminum and high-pressed die-casting materials, with surface anti-aging and antistatic spray treatment
- The diffuser is made of prominent polycarbonate materials with good aging and ultra-violet resistance performance.
- The protection grade can reach IP65, superior than traditional lawn lights
- Uses high-power CREE LEDs.
- Build-in constant current LED driver

## Applications:

- Lawn,
- Garden,
- Square,
- Residential area
- Park



## Specifications:

Part No	Heigh (mm)	CCT (K)	Beam Angle	Color Rendering Index	Luminous Intensity (cd)	Luminaire Luminous Flux (lm)	Power (W)	Net Weight (kg)
CEBLL10WW-PS	400	3000	133°	80	99	280	10	2.3
CEBLL10WN-PS	400	4000	133°	80	109	300	10	2.3
CEBLL10WD-PS	400	5000	133°	80	125	320	10	2.3
CEBLL10WC-PS	400	6500	133°	80	145	340	10	2.3
CEBLL10WW-PM	600	3000	133°	80	99	280	10	2.8
CEBLL10WN-PM	600	4000	133°	80	109	300	10	2.8
CEBLL10WD-PM	600	5000	133°	80	125	320	10	2.8
CEBLL10WC-PM	600	6500	133°	80	145	340	10	2.8
CEBLL10WW-PL	800	3000	133°	80	99	280	10	3.3
CEBLL10WN-PL	800	4000	133°	80	109	300	10	3.3
CEBLL10WD-PL	800	5000	133°	80	125	320	10	3.3
CEBLL10WC-PL	800	6500	133°	80	145	340	10	3.3

Optional Color: Red , Green, Blue, Yellow and RGB

## General And Electrical Characteristics:

- Input: AC 100~240V 50/60Hz
- Total Harmonic Distortion: 20%
- Operating Temperature: -20~50°C
- Operating Humidity: 10%~95%
- Life Time: 50,000 Hours at Ta=40°C
- LED Source: CREE
- Finishing Materials: Aluminum and Polycarbonate
- Packing Size: Type S 452\*295\*310mm;  
Type M: 652\*295\*310mm;  
Type L: 852\*295\*310mm



Light through the diamond-shape, illuminates gorgeously

