

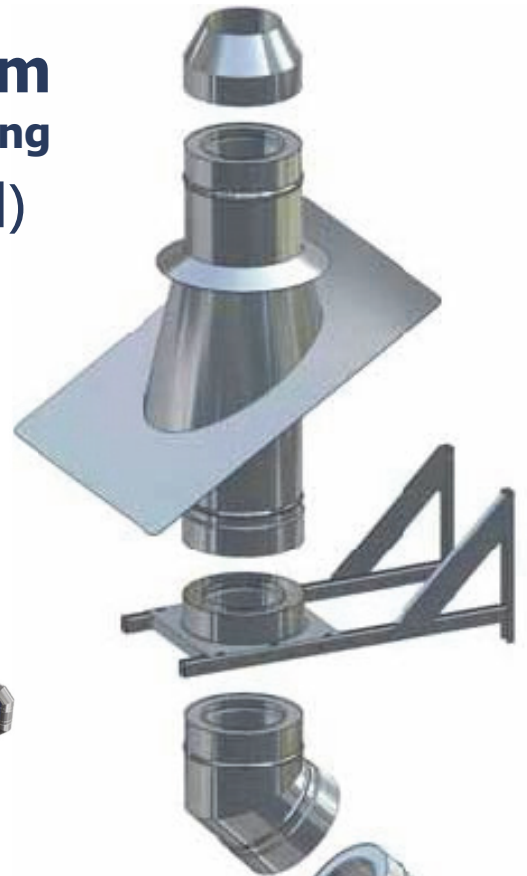
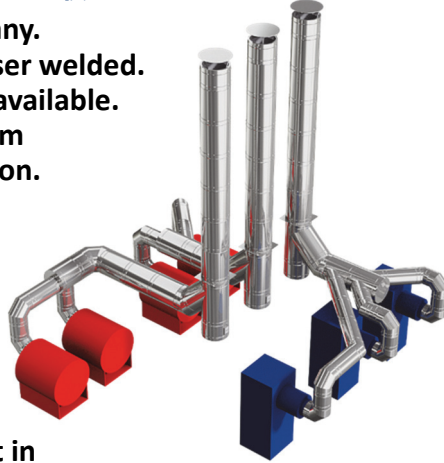
eka

edelstahlkamine

工業煙囪系統設計及供應

專業電腦模擬設計及數據計算行業最高標準

- Pre-fabricated and made in Germany.
- All parts laser cut and seamless laser welded.
- In single wall or double wall both available.
- Double wall with either 25 or 50mm hydrophobic mineral wool insulation.
- Outer shell/ inner liner material Stainless Steel AISI304/ 316 as standard in thickness 0.6 or 1.0 mm.
- Leading gasket technology against leakages from condensate water, by condensate-acid-proof twin gasket in Viton + Silicon material.
- All tailor-made designed and software simulated and evaluated, verification to EN13384-1 & 2.



exodraft

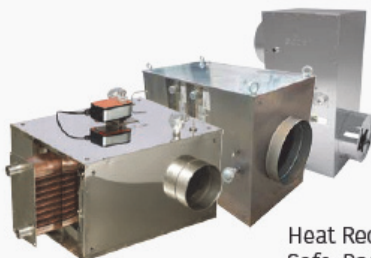
Heat Recovery and Chimney Draught Systems (Denmark)

煙囪抽氣及熱力回收系統(丹麥)

We supply heat recovery solution and take care the complete process. Excess heat from flue gases, steam or hot process air can be turn into hot water without influencing production uptime.

設計供應安裝調試最高效能熱力回收煙囪抽氣系統符合最嚴苛之環保排放標準

- + Quick investment return (usually <2 yrs).
- + Most compact and lightweight heat recovery system on the market.
- + Bypass systems ensure stable and continuous operation.
- + PLC onsite and remote control and monitoring.
- + Can be installed in vertically and horizontally.



Heat Recovery Units
Safe, Basic & Steam



Controls



Chimney & Inline Fans

EcoAmigo Consulting Engineers 環美工程設計建造 project@ecoamigo.com.mo

Tel 電話: (853) 2835-6676 (852) 2363-1925

Fax 傳真: (853) 2835-6264 (852) 2365-6459

www.ecoamigoengineers.com